



Roll Groove Fittings

Ampac Fire Safety offers an extensive range of hydrodynamically designed Roll Groove Fittings ideal for use in Fire Protection services. Our range of Roll Groove is available in a wide variety of sizes in both Red Painted and Galvanised finishes.

After consultation with installers from a variety of regions & taking preferences into consideration the result is a carefully selected product range. The Roll Groove product range is pressure rated to 300 psi. All products are UL & FM approved and comply with local installation requirements.

Ampac Fire Safety's Roll Groove products are competitively priced to help you win your next project.



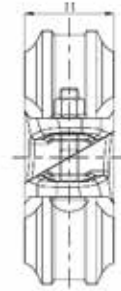
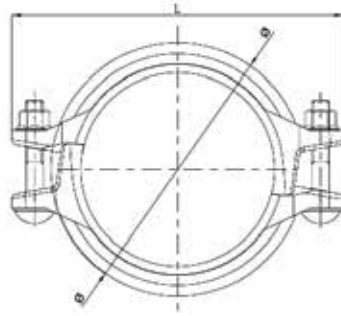
Features

- Complete range of Roll Groove Fitting & sizes
- Red Paint or Galvanized Finish
- Pre Lube Gaskets
- Angle Pad Rigid Couplings
- Galvanized Bolts supplied with standard Gal Couplings
- Ampac Fire Safety provides One Stop Project Solutions



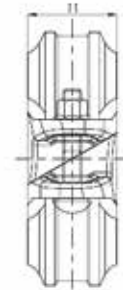
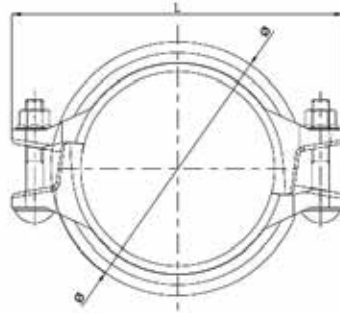
Angle Pad Couplings

Roll Groove Fittings



Angle Pad Couplings with Pre Lube Gasket RED PAINT

Item Number	Box	Nominal Size (mm)	Pipe O.D (mm)	Working Pressure (PSI)	Bolt Size No.Size (mm)	Dimensions (mm)		
						Ø	L	H
1900-1001	50	25	33.7	300	2*M10 *55	57	97	44
1900-1003	50	32	42.4	300	2*M10 *55	66	107	45
1900-1005	35	40	48.3	300	2*M10 *55	74	115	45
1900-1007	25	50	60.3	300	2*M10 *60	84	124	45
1900-1009	50	65	76.1	300	2*M10 *60	99	143	45
1900-1011	35	80	88.9	300	2*M10 *60	114	154	45
1900-1013	24	100	114.3	300	2*M10 *65	144	189	51
1900-1015	12	150	165.1	300	2*M10 *75	197	253	51
1900-1017	6	200	219.1	300	2*M10 *75	256	324	62
1900-1019	5	250 (Rigid)	273	300	2*M10 *75	315	398	62



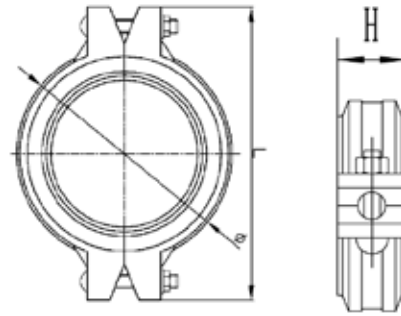
Angle Pad Couplings with Pre Lube Gasket GALV

Item Number	Box	Nominal Size (mm)	Pipe O.D (mm)	Working Pressure (PSI)	Bolt Size No.Size (mm)	Dimensions (mm)		
						Ø	L	H
1900-1002	50	25	33.7	300	2*M10*55	57	97	44
1900-1004	50	32	42.4	300	2*M10*55	66	107	45
1900-1006	35	40	48.3	300	2*M10*55	74	115	45
1900-1008	25	50	60.3	300	2*M10*60	84	124	45
1900-1010	50	65	76.1	300	2*M10*60	99	143	45
1900-1012	35	80	88.9	300	2*M10*60	114	154	45
1900-1014	24	100	114.3	300	2*M10*65	144	189	51
1900-1016	12	150	165.1	300	2*M10*75	197	253	51
1900-1018	6	200	219.1	300	2*M10*75	256	324	62
1900-1019	5	250 Rigid	273	300	2*M10*75	315	398	62

Distributed By:

www.ampacfiresafety.net

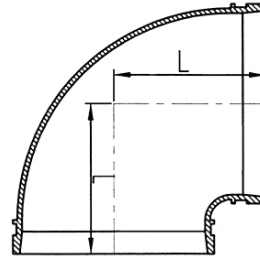
Reducing Couplings



Reducing Coupling with Pre Lube Gasket GALV

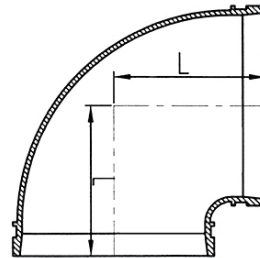
Item Number	Box	Nominal Size (mm)	Pipe O.D (mm)	Working Pressure (PSI)	Bolt Size No. Size (mm)	Dimensions (mm)		
						Ø	L	H
1900-1030	50	50 x 40	60.3 x 48.3	300	2- M10*60	88	123	45
1900-1031	30	65 x 50	76.1 x 60.3	300	2- M10*65	104	142	45
1900-1032	25	80 x 50	88.9 x 60.3	300	2- M12*65	118	169	45
1900-1033	25	80 x 65	88.9 x 76.1	300	2- M12*65	118	169	45
1900-1034	20	100 x 50	114.3 x 60.3	300	2- M12*65	146	199	49
1900-1035	20	100 x 65	114.3 x 76.1	300	2- M12*65	146	199	49
1900-1036	20	100 x 80	114.3 x 88.9	300	2- M12*65	146	199	49
1900-1037	10	150 x 100	165.1 x 114.3	300	2- M12*75	200	253	49

90° Elbows



Short Pattern 90° Elbow Grooved RED PAINT

Item Number	Box	Nominal Size (mm)	Pipe O.D (mm)	Working Pressure (PSI)	L
1900-2001	50	50	60.3	300	70
1900-2003	30	65	76.1	300	76
1900-2005	20	80	88.9	300	86
1900-2007	12	100	114.3	300	102
1900-2009	3	150	165.1	300	140
1900-2011	1	200	219.1	300	160



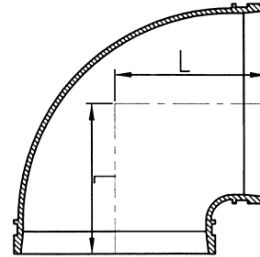
Standard Pattern 90° Elbow Grooved RED PAINT

Item Number	Box	Nominal Size (mm)	Pipe O.D (mm)	Working Pressure (PSI)	L
1900-2020	50	25	33.7	300	57
1900-2022	50	32	42.4	300	60
1900-2024	100	40	48.3	300	60

Distributed By:

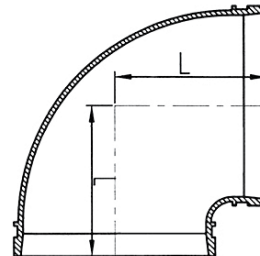
www.ampacfiresafety.net

90° Elbows



Short Pattern 90° Elbow Grooved GALV

Item Number	Box	Nominal Size (mm)	Pipe O.D (mm)	Working Pressure (PSI)	L
1900-2002	50	50	60.3	300	70
1900-2004	30	65	76.1	300	76
1900-2006	20	80	88.9	300	86
1900-2008	12	100	114.3	300	102
1900-2010	3	150	165.1	300	140
1900-2012	1	200	219.1	300	160



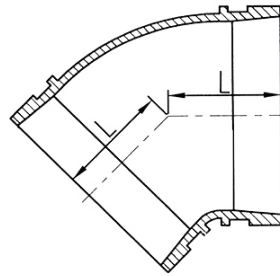
Standard Pattern 90° Elbow Grooved GALV

Item Number	Box	Nominal Size (mm)	Pipe O.D (mm)	Working Pressure (PSI)	L
1900-2021	50	25	33.7	300	57
1900-2023	50	32	42.4	300	60
1900-2025	100	40	48.3	300	60
1900-2026	20	80	88.9	300	86
1900-2027	12	100	114.3	300	102
1900-2028	3	150	165.1	300	140

Distributed By:

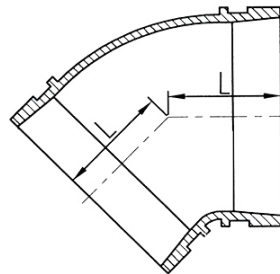
www.ampacfiresafety.net

Elbows



Standard Pattern 45° Elbow Grooved RED PAINT

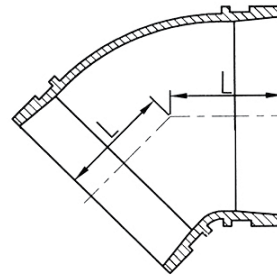
Item Number	Box	Nominal Size (mm)	Pipe O.D (mm)	Working Pressure (PSI)	L
1900-2040	50	32	42.4	300	60
1900-2042	75	40	48.3	300	60
1900-2044	50	50	60.3	300	51
1900-2046	25	65	76.1	300	57
1900-2048	25	80	88.9	300	64
1900-2050	12	100	114.3	300	76
1900-2052	4	150	165.1	300	89
1900-2054	2	200	219.1	300	99



Standard Pattern 22.5° Elbow Grooved GALV

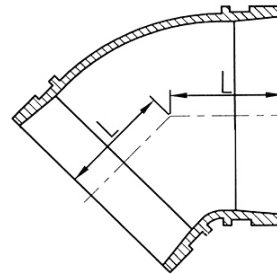
Item Number	Box	Nominal Size (mm)	Pipe O.D (mm)	Working Pressure (PSI)	L
1900-2070	12	100	114.3	300	?
1900-2071	4	150	165.1	300	?

Elbows



Standard Pattern 45° Elbow Grooved GALV

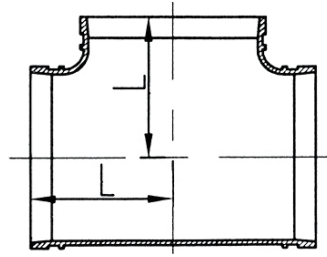
Item Number	Box	Nominal Size (mm)	Pipe O.D (mm)	Working Pressure (PSI)	L
1900-2041	50	32	42.4	300	60
1900-2043	75	40	48.3	300	60
1900-2045	50	50	60.3	300	51
1900-2047	25	65	76.1	300	57
1900-2049	25	80	88.9	300	64
1900-2051	12	100	114.3	300	76
1900-2053	4	150	165.1	300	89
1900-2055	2	200	219.1	300	99



Standard Pattern 11.25° Elbow Grooved GALV

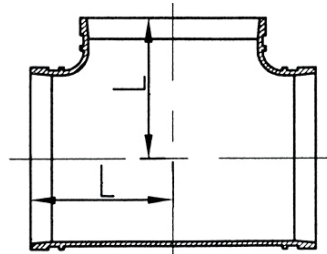
Item Number	Box	Nominal Size (mm)	Pipe O.D (mm)	Working Pressure (PSI)	L
1900-2080	12	100	114.1	300	?
1900-2081	4	150	165.1	300	?

Tees



Short Pattern Equal Tee Grooved RED PAINT

Item Number	Box	Nominal Size (mm)	Pipe O.D (mm)	Working Pressure (PSI)	L
1900-3001	35	50	60.3	300	70
1900-3003	24	65	76.1	300	76
1900-3005	10	80	88.9	300	86
1900-3007	8	100	114.3	300	102
1900-3009	2	150	165	300	125
1900-3011	1	200	219.1	300	177



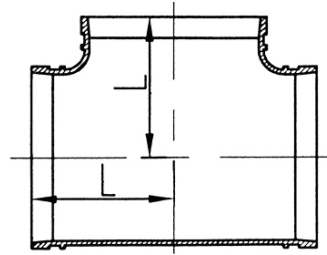
Standard Pattern Equal Tee Grooved RED PAINT

Item Number	Box	Nominal Size (mm)	Pipe O.D (mm)	Working Pressure (PSI)	L
1900-3020	50	25	33.7	300	57
1900-3022	50	32	42.4	300	60
1900-3024	50	40	48.3	300	60

Distributed By:

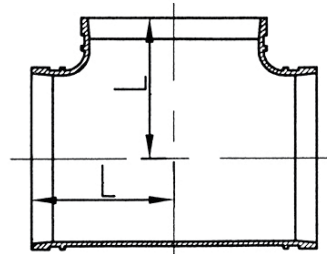
www.ampacfiresafety.net

Tees



Short Pattern Equal Tee Grooved GALV

Item Number	Box	Nominal Size (mm)	Pipe O.D (mm)	Working Pressure (PSI)	L
1900-3002	35	50	60.3	300	70
1900-3004	24	65	76.1	300	76
1900-3006	10	80	99.9	300	86
1900-3009	8	100	114.3	300	102
1900-3010	2	150	165	300	125
1900-3012	1	200	219.1	300	177



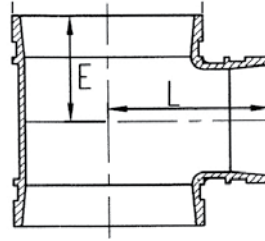
Standard Pattern Equal Tee Grooved GALV

Item Number	Box	Nominal Size (mm)	Pipe O.D (mm)	Working Pressure (PSI)	L
1900-3021	50	25	33.7	300	57
1900-3023	50	32	42.4	300	60
1900-3025	50	40	48.3	300	60
1900-3026	10	80	88.9	300	86
1900-3027	8	100	114.3	300	102
1900-3028	2	150	165	300	140

Distributed By:

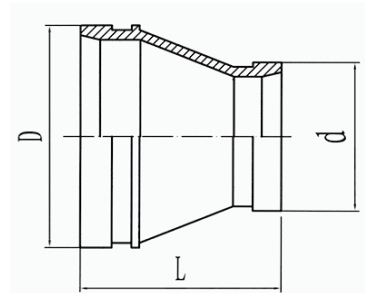
www.ampacfiresafety.net

Reducers



Reducing Tee Grooved GALV

Item Number	Box	Nominal Size (mm)	Pipe O.D (mm)	Working Pressure (PSI)	L
1900-3040	35	50 x 25	60.3 x 33.7	300	70
1900-3041	35	50 x 32	60.3 x 42.4	300	70
1900-3042	35	50 x 40	60.3 x 48.3	300	70
1900-3043	12	80 x 65	88.9 x 76.1	300	86
1900-3044	9	100 x 50	114.3 x 60.3	300	102
1900-3045	9	100 x 80	114.3 x 88.9	300	102
1900-3046	3	150 x 80	165.1 x 88.9	300	140
1900-3047	3	150 x 100	165.1 x 114.3	300	140
1900-3048	1	200 x 100	219.1 x 114.3	300	175
1900-3049	1	200 x 150	219.1 x 165.1	300	175



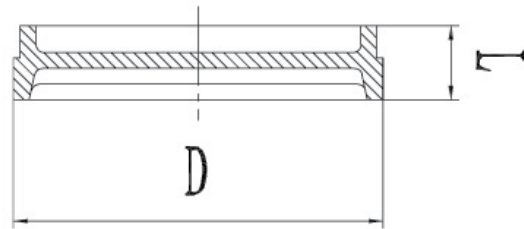
Concentric Reducer Grooved GALV 32-65mm

Item Number	Box	Nominal Size (mm)	Pipe O.D (mm)	Working Pressure (PSI)	L
1900-4001	50	32 x 25	42.4 x 33.7	300	64
1900-4002	50	40 x 25	48.3 x 33.7	300	64
1900-4003	50	40 x 32	48.3 x 42.4	300	64
1900-4004	50	50 x 25	60.3 x 33.7	300	64
1900-4005	50	50 x 32	60.3 x 42.4	300	64
1900-4006	100	50 x 40	60.3 x 48.3	300	64
1900-4007	40	65 x 25	76.1 x 33.7	300	64
1900-4008	40	65 x 32	76.1 x 42.4	300	64
1900-4009	40	65 x 40	76.1 x 48.3	300	64
1900-4010	50	65 x 50	76.1 x 60.3	300	64

Distributed By:

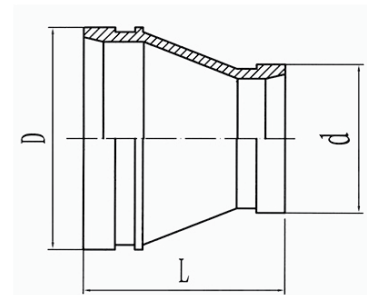
www.ampacfiresafety.net

End Caps & Reducers



End Cap Grooved GALV

Item Number	Box	Nominal Size (mm)	Pipe O.D (mm)	Working Pressure (PSI)	L
1900-5001	80	25	33.7	300	26
1900-5002	75	32	42.4	300	26
1900-5003	75	40	48.3	300	26
1900-5004	75	50	60.3	300	26
1900-5005	80	65	76.1	300	26
1900-5006	50	80	88.9	300	26
1900-5007	30	100	114.3	300	26
1900-5008	20	150	165.1	300	26
1900-5009	5	200	219.1	300	30
1900-5010	3	250	273	300	30



Concentric Reducer Grooved GALV 80 -200mm

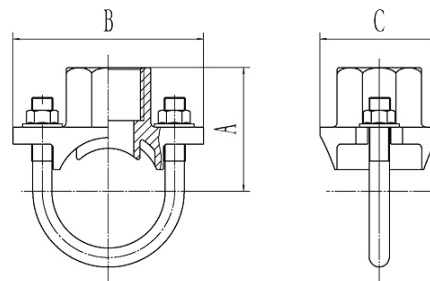
Item Number	Box	Nominal Size (mm)	Pipe O.D (mm)	Working Pressure (PSI)	L
1900-4011	50	80 x 50	88.9 x 60.3	300	64
1900-4012	50	80 x 65	88.9 x 76.1	300	64
1900-4013	25	100 x 50	114.3 x 60.3	300	70
1900-4014	25	100 x 65	114.3 x 76.1	300	70
1900-4015	30	100 x 80	114.3 x 88.9	300	70
1900-4016	25	150 x 80	165.1 x 88.9	300	78
1900-4017	15	150 x 100	165.1 x 114.3	300	102
1900-4018	4	200 x 150	219.1 x 165.1	300	100

End Caps & Mechanical Tees



End Cap with Outlet GALV 50-150mm

Item Number	Box	Nominal Size (mm)	Pipe O.D (mm)	Working Pressure (PSI)	L
1900-5020	65	50 x 25	60.3 x 33.7	300	?
1900-5021	50	65 x 25	76.1 x 33.7	300	?
1900-5022	40	80 x 25	88.9 x 33.7	300	?
1900-5023	25	100 x 25	114.3 x 33.7	300	?
1900-5024	15	150 x 25	165.1 x 33.7	300	?



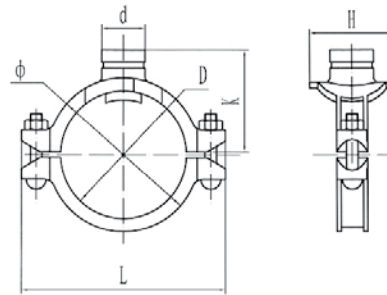
Mechanical Tee BSP Threaded GALV

Item Number	Box	Nominal Size (mm)	Pipe O.D (mm)	Working Pressure (PSI)	Bolt Size No. Size (mm)	Dimensions (mm)				Hole Cutting Dimensions (mm)
						Ø	L	H	K	
1900-6001	50	25 x 15	33.7 x 21	300	2-M10 *45					
1900-6002	40	32 x 15	42.4 x 21	300	2-M10 *45					
1900-6003	40	32 x 25	42.4 x 33.7	300	2-M10 *45					
1900-6004	40	40 x 15	48.3 x 21	300	2-M10 *45					
1900-6005	40	40 x 25	48.3 x 33.7	300	2-M10 *45	67	112	56	61	32
1900-6006	50	50 x 15	60.3 x 21	300	2-M10 *45					
1900-6007	50	50 x 25	60.3 x 33.7	300	2-M10 *45	74	118	56	72	38
1900-6020	50	50 x 32	60.3 x 42.4	300	2-M10 *45	74	118	56	72	46
1900-6021	50	50 x 40	60.3 x 48.3	300	2-M10 *45	74	110	56	72	51
1900-6022	50	65 x 20	76.1 x 27	300	2-M10 *55					
1900-6023	50	65 x 25	76.1 x 33.7	300	2-M10 *55	96	126	65	76	38
1900-6024	50	65 x 32	76.1 x 42.4	300	2-M10 *55	96	126	65	83	46

Distributed By:

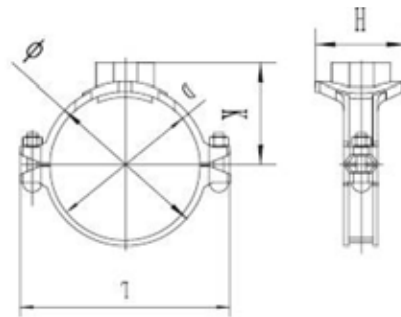
www.ampacfiresafety.net

Mechanical Tees



Mechanical Tee Grooved Outlet GALV

Item Number	Box	Nominal Size (mm)	Pipe O.D (mm)	Working Pressure (PSI)	Bolt Size No.Size (mm)	Dimensions (mm)				Hole Cutting Dimensions (mm)
						Ø	L	H	K	
1900-6050	50	50 x 32	60.3 x 42.4	300	2-M10 *55	74	116	59	69	46
1900-6051	50	50 x 40	60.3 x 48.3	300	2-M10 *55	78	116	59	69	46
1900-6052	50	65 x 25	76.1 x 33.7	300	2-M10 *55	93	144	70	77	38
1900-6053	50	65 x 32	76.1 x 42.4	300	2-M10 *55	93	144	70	84	46
1900-6054	40	65 x 40	76.1 x 48.3	300	2-M10 *55	93	144	70	83	51
1900-6055	25	100 x 50	114.3 x 60.3	300	2-M12 *65	140	180	94	100	61
1900-6056	20	100 x 65	114.3 x 76.1	300	2-M12 *65	140	188	93	122	81
1900-6057	15	100 x 80	114.3 x 88.9	300	2-M12 *65	140	188	93	122	84
1900-6058	15	150 x 50	165.1 x 60.3	300	2-M12 *75	194	247	125	97	61
1900-6059	10	150 x 80	165.1 x 88.9	300	2-M12 *75	194	247	125	122	86
1900-6060	8	150 x 100	165.1 x 114.3	300	2-M12 *75	194	247	125	134	114



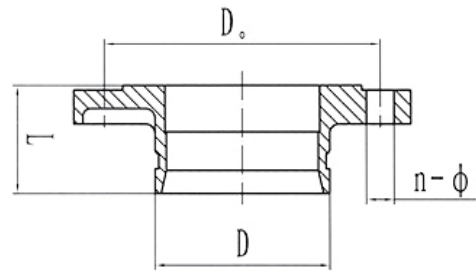
Mechanical Tee BSP Threaded GALV Continued

Item Number	Box	Nominal Size (mm)	Pipe O.D (mm)	Working Pressure (PSI)	Bolt Size No.Size (mm)	Dimensions (mm)				Hole Cutting Dimensions (mm)
						Ø	L	H	K	
1900-6025	40	65 x 40	76.1 x 48.3	300	2-M10 *55	102	144	70	83	51
1900-6026	40	80 x 25	88.9 x 33.7	300	2-M10 *55	106	138	73	79	38
1900-6027	40	80 x 32	88.9 x 42.4	300	2-M10 *55	106	138	73	83	46
1900-6028	35	80 x 40	88.9 x 48.3	300	2-M10 *55	106	138	73	94	51
1900-6029	30	80 x 50	88.9 x 60.3	300	2-M10 *55	106	138	73	100	61
1900-6030	25	100 x 25	114.3 x 33.7	300	2-M12 *65	134	180	85	78	38
1900-6031	25	100 x 32	114.3 x 42.4	300	2-M12 *65	134	180	85	85	46
1900-6032	25	100 x 40	114.3 x 48.4	300	2-M12 *65	134	180	85	94	51
1900-6033	25	100 x 50	114.3 x 60.3	300	2-M12 *65	134	180	90	98	61
1900-6034	15	150 x 50	168.3 x 60.3	300	2-M12 *75	198	247	120	98	61
1900-6035	10	200 x 50	219.1 x 60.3	300	2-M12 *75	250	310	155	97	61

Distributed By:

www.ampacfiresafety.net

Flange Adaptors & Bull Head Tee



Groove To Flange Adaptors GALV

Item Number	Box	Nominal Size (mm)	Pipe O.D (mm)	Working Pressure (PSI)	Bolt Size No. Size (mm)	Dimensions (mm)				Hole Cutting Dimensions (mm)
						Ø	L	H	K	
1900-7001	10	50		300						
1900-7002	13	65		300						
1900-7003	13	80		300						
1900-7004	10	100		300						
1900-7005	5	150		300						
1900-7006	4	200		300						
1900-7007	1	250		300						

Bullhead Tee

Item Number	Box	Nominal Size (mm)	Pipe O.D (mm)	Working Pressure (PSI)	L
1900-6085	1	80 x 80 x 100	88.9 x 88.9 x 114.3	300	?
1900-6086	1	80 x 80 x 150	88.9 cx 88.9 x 165.1	300	?

Distributed By:

www.ampacfiresafety.net

Couplings & Hydrant Tees

Grooved Outlet Couplings GALV

Item Number	Box	Nominal Size (mm)	Pipe O.D (mm)	Working Pressure (PSI)	Bolt Size No.Size (mm)	Dimensions (mm)			
						Ø	L	H	K
1900-6080	1	100 x 25	114.3 x 33.7	300					
1900-6081	1	150 x 25	165.1 x 33.7	300					

Hydrant Tees & Elbows cw 25BSP Inlet

Item Number	Box	Nominal Size (mm)	Pipe O.D (mm)	Working Pressure (PSI)	Bolt Size No.Size (mm)	Dimensions (mm)				Hole Cutting Dimensions (mm)
						Ø	L	H	K	
1900-6090	1	100 x 80	114.4 x 88.9	300						
1900-6091	1	100 x 80	114.4 x 88.9	300						

Distributed By:

www.ampacfiresafety.net